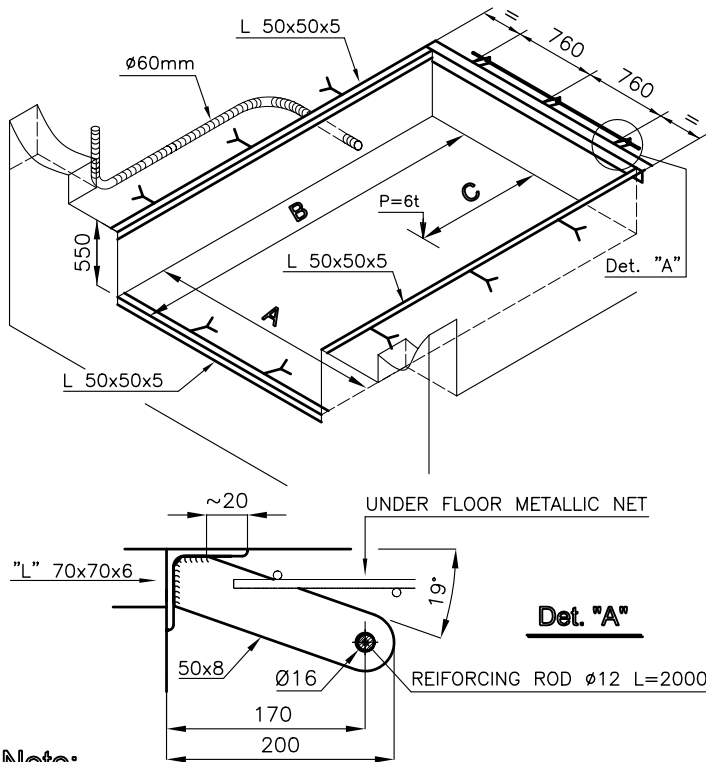


PHASE 1

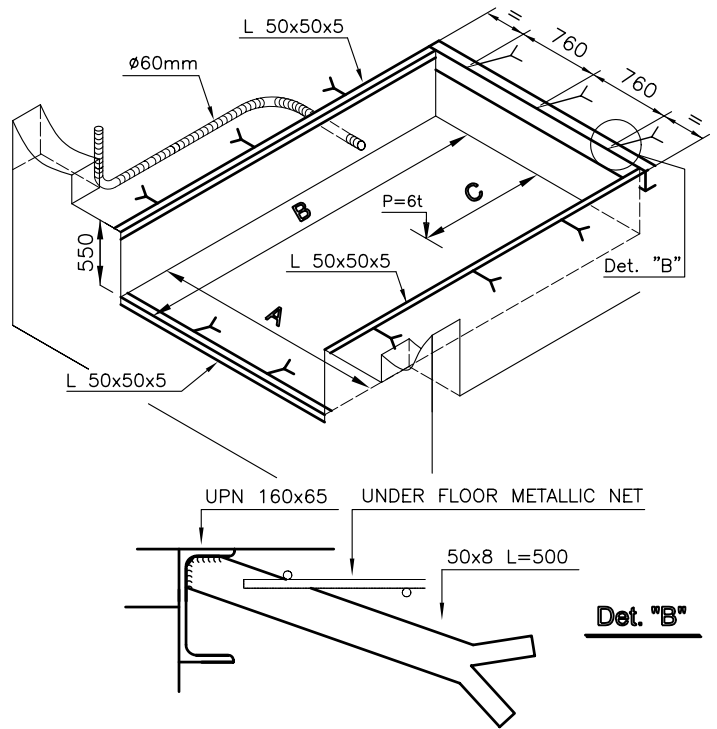
Operation with brackets tied with reinforcing rod



Note:

Building works at customer care:
 (Perimetrical angles with brackets, head angular 70x70x6 with 3 brackets 50x5x200 and one reinforcing rod $\phi 12$ lenght 2000, wood shuttering of the vertical sides)

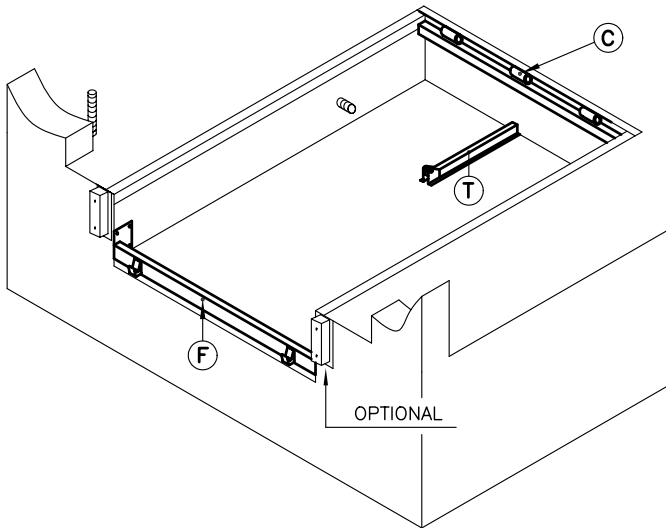
Operation with traditional brackets



Note:

Building works at customer care:
 (Perimetrical angles with brackets, UPN with 3 brackets 50x5x500, wood shuttering of the vertical sides)

PHASE 2



Note:

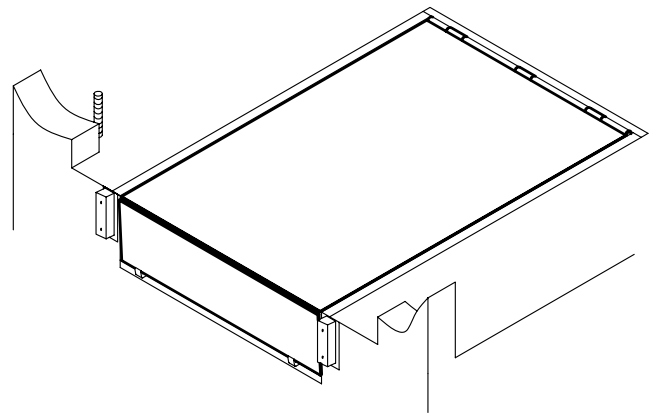
Installation by welding item "C" and by expansion bolt item "F" and item "T".
 The accessories C F T are supplied by Campisa.

Dimensions pit for dock levellers STD

Dock lev.	Dim. "A"	Dim. "B"	Dim. "C"
2000x2500	2040	2500	886
2000x3000	2040	3000	1170
2200x2500	2240	2500	886
2200x3000	2240	3000	1170

PHASE 3

Installation of the leveller supplied by Campisa



CAMPISA srl

13, via Ruffini 20030 Palazzolo Milanese (MI) Italia
 Tel. +39-02.99.03.971 serie - Fax +39-02.99.04.43.51

Descrizione / Description

DOCK LEV. WITH ACCESSORIES

PIT SPECIFICATIONS - RADIUS

Gruppo / Group

PIT FOR CAMPISA

DOCK LEVELLERS

Dis. N° / Dwg N°

IR000330/E

Dis. CAD / CAD Dwg

IR000330

Formato
Format

A4

Data
Date

16/11/11

Scala
Scale

1:50

Rev.
Rev.

9

Dis.
Draw.

M.C.

Appr.
Appr d

S.G.